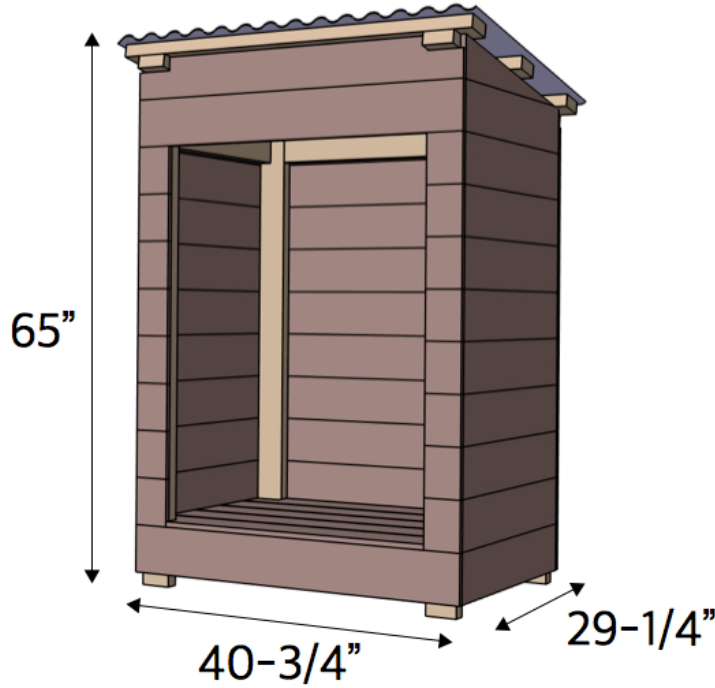


LARGE MAIL SHELTER

BUILD TIME = 1 DAY | EST. COST TO BUILD = \$150-200 | SKILL LEVEL = BEGINNER



REQUIRED TOOLS

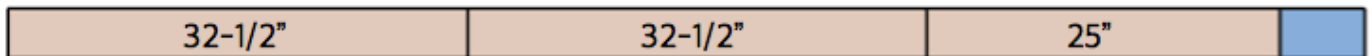
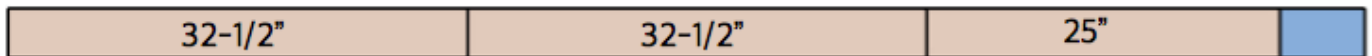
- Drill / Driver
- Hammer
- Circular Saw &/or Table Saw
- Jigsaw
- 16g Finish Nailer
- Tape Measure
- Pencil
- Safety Glasses
- Hearing Protection

MATERIALS

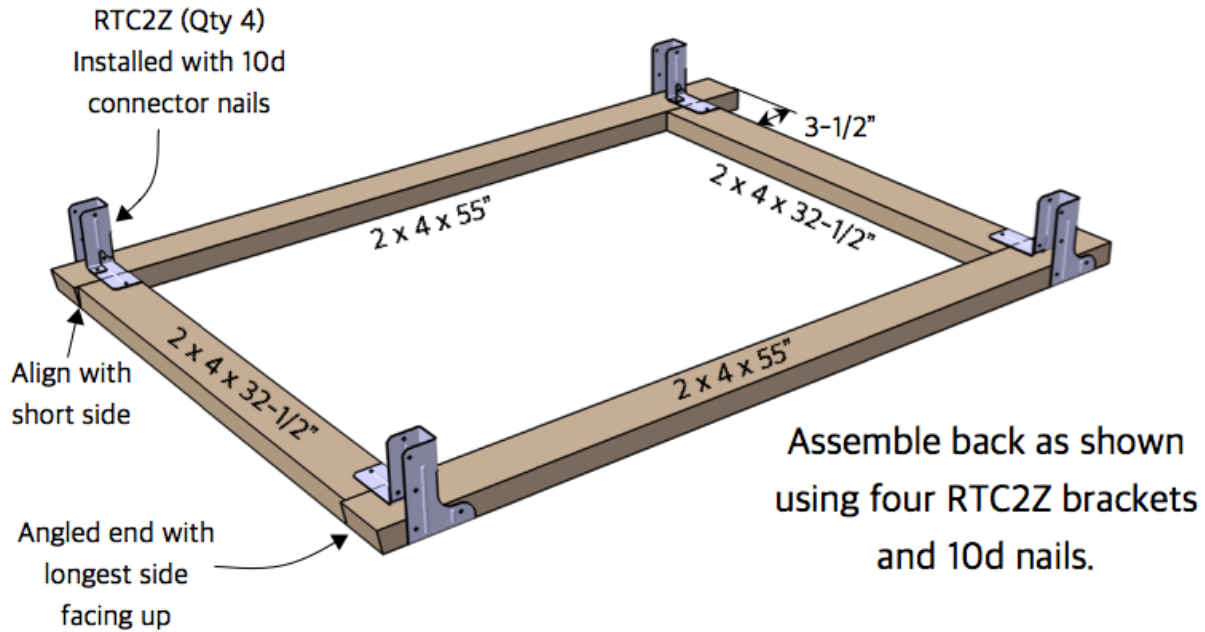
- Qty 8 - 2 x 4 x 8' Boards (Pressure Treated)
- Qty 24 - Cedar Fence Pickets
- Qty 1 - Corrugated Metal Roofing
- Qty 8 - RTA2Z Rigid Tie® Connectors
- 8d x 1-1/2" Strong-Drive® Connector Nails
- 2-1/2" Deck-Drive™ DSV Wood Screws
- 1-1/2" 16 gauge Finish Nails
- Metal Roofing Screws

CUT LIST

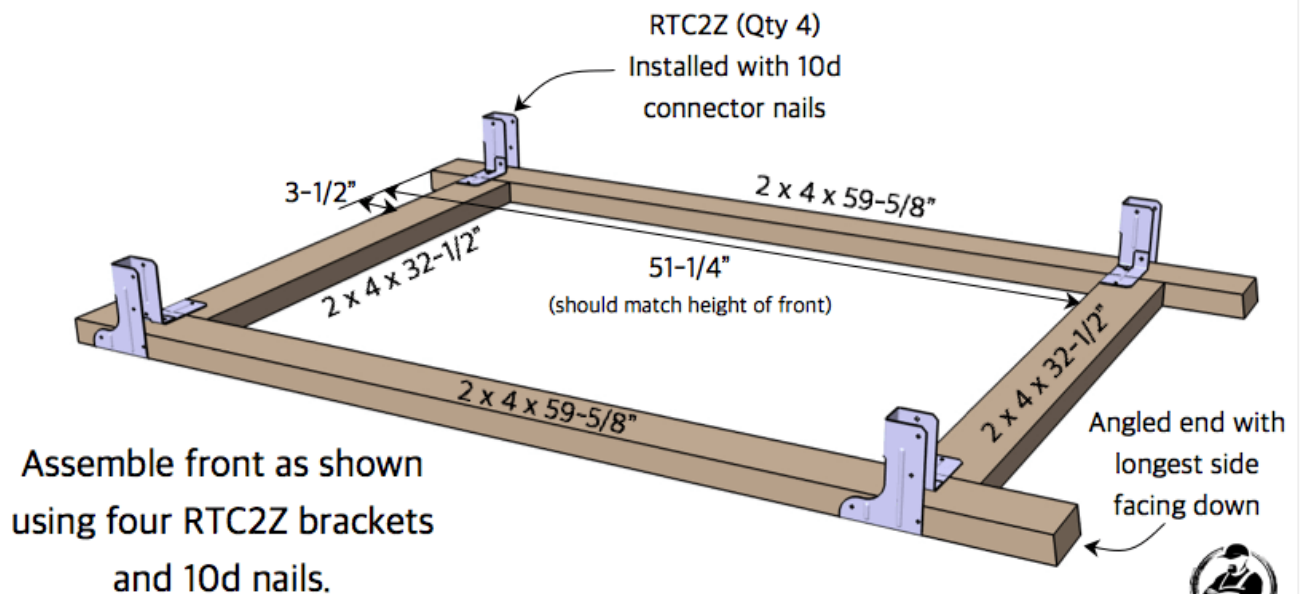
2 x 4 x 8' Pressure Treated Lumber (Qty 8)



Step 1: Assemble Back

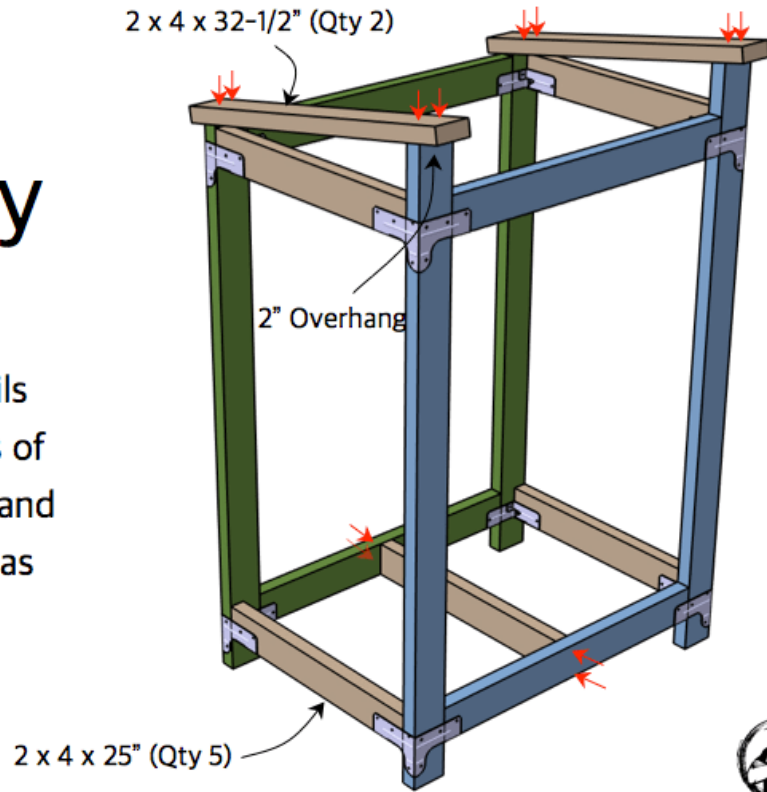


Step 2: Assemble Front



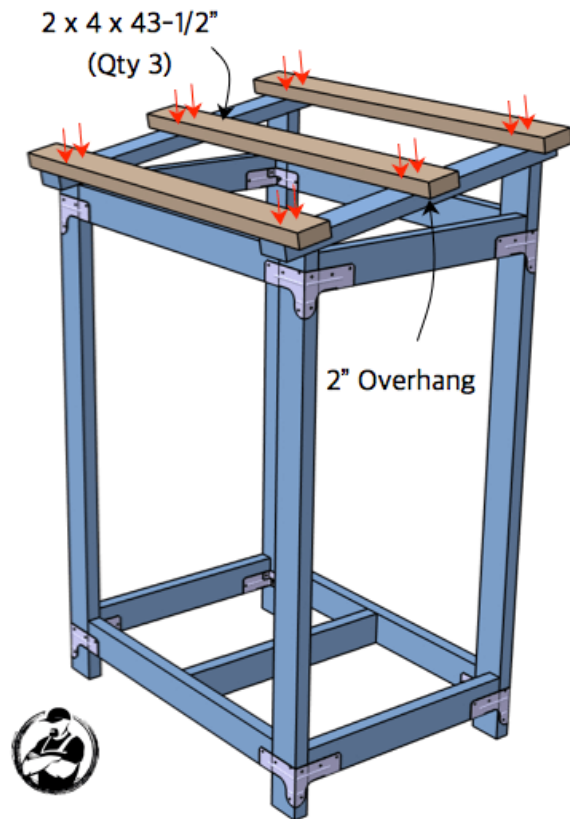
Step 3: Assembly

Assemble using 10d nails through remaining holes of existing RTC2Z brackets and **2-1/2" DSVT212 screws** as shown.



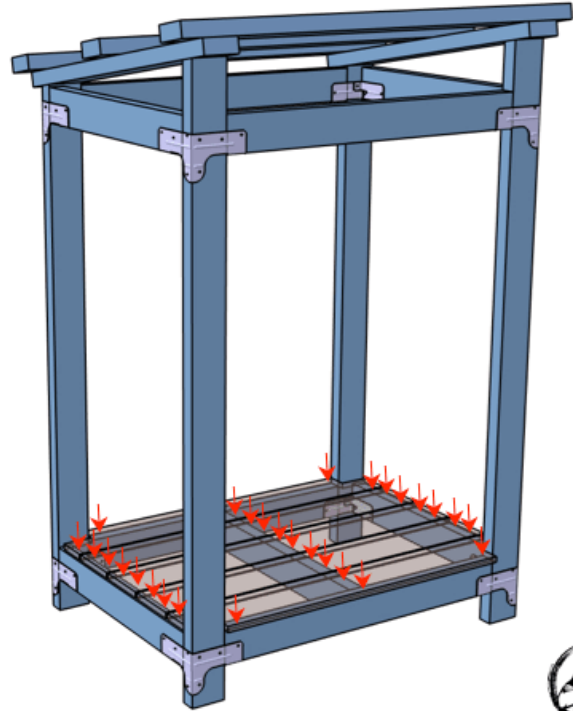
Step 4: Install Roof Supports

Install roof supports using **2-1/2" DSVT212 screws** as shown.



Step 5: Install Floor

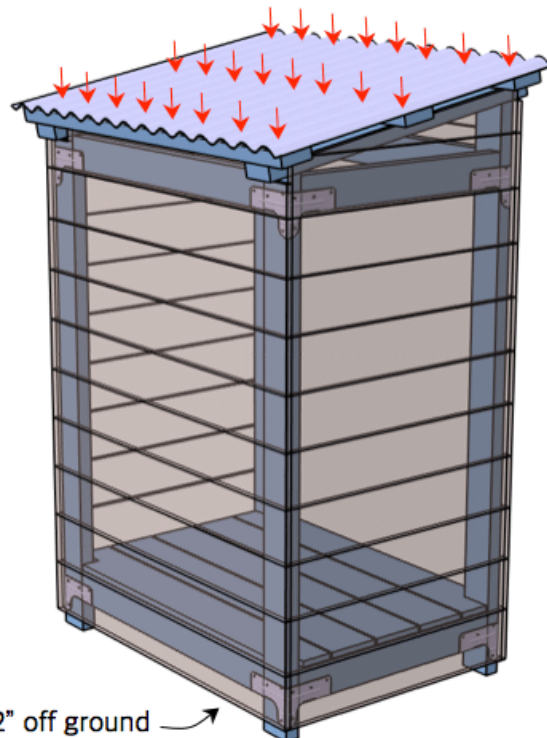
Cut fence pickets to use as a floor. Notch around 2x4s as required. Maintaining 1/4" spacing, install using 16 gauge 1-1/2" finish nails.



Step 6: Roof & Siding

Using fence pickets as siding, cut them to fit and install with no gap using 16 gauge finish nails.

Cut corrugated metal to fit and install using washer head screws with sealing washer



1-1/2" off ground →