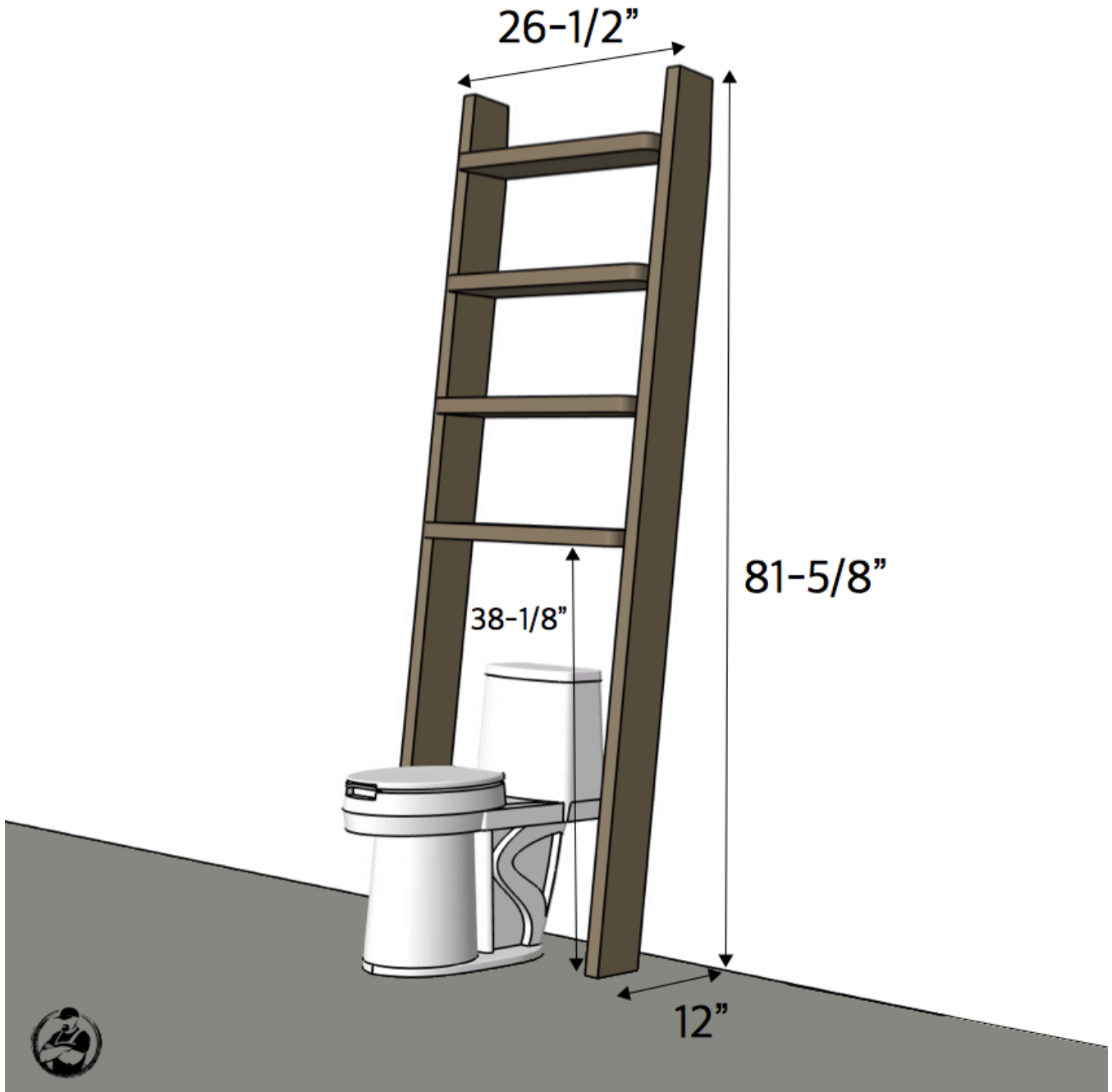


LEANING BATHROOM SHELF

BUILD TIME = 1 DAY | EST. COST TO BUILD = \$50 | SKILL LEVEL = INTERMEDIATE



REQUIRED TOOLS

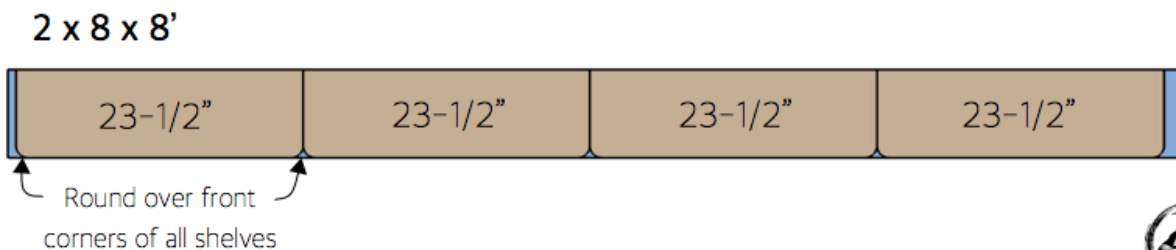
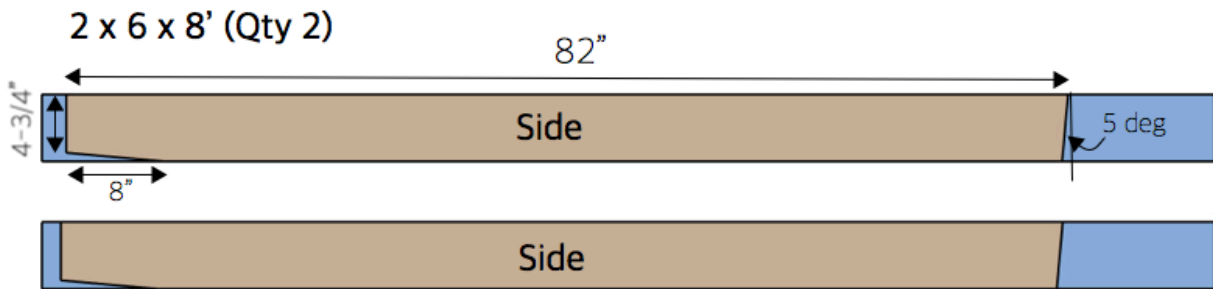
- Drill / Driver
- Circular Saw & Speed Square
- Sander
- Tape Measure
- Pencil
- Safety Glasses
- Hearing Protection

MATERIALS

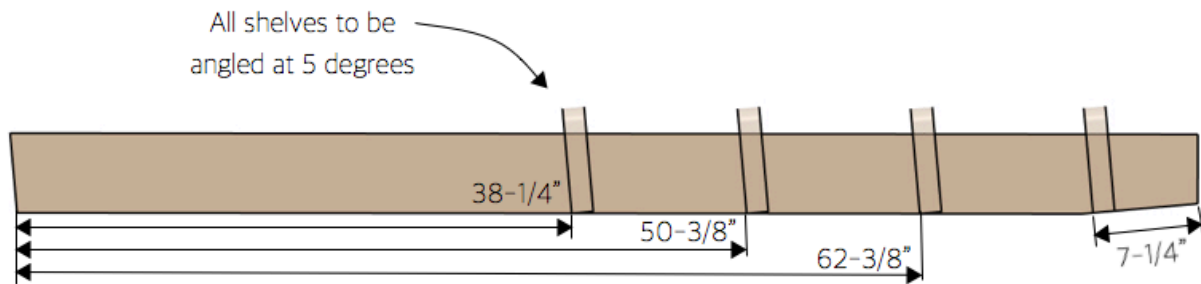
- Qty 2 - 2 x 6 x 8' Lumber
- Qty 1 - 2 x 8 x 8' Lumber
- 3-1/2" Outdoor Accents[®] Structural Wood Screws (12 Pack)
- Outdoor Accents[®] Hex-Head Washer (8 Pack)
- Wood Glue (Optional)



CUT LIST



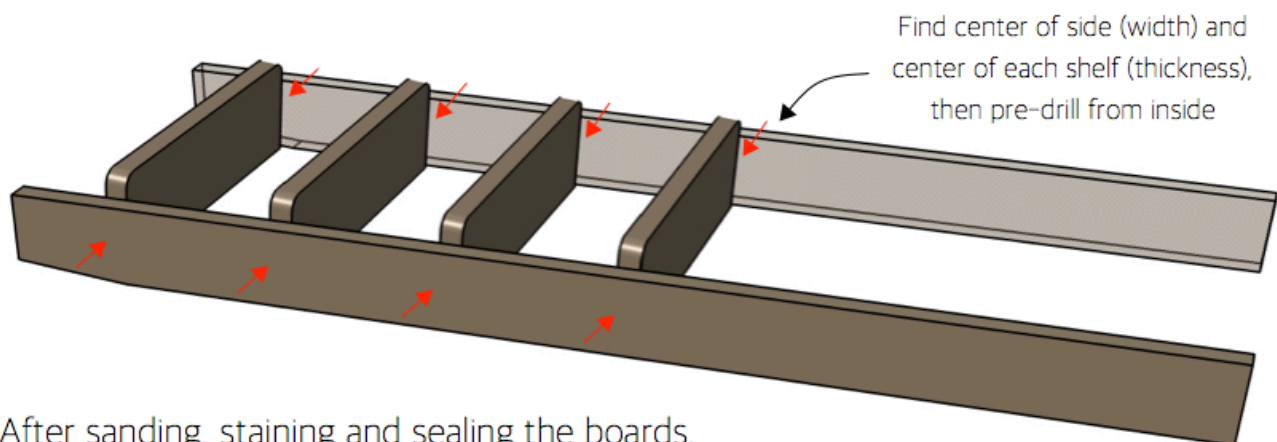
Step 1: Mark Shelf Locations



Mark the shelf locations on inside of each side using a speed square or a scrap board with 5 degree end.



Step 2: Final Assembly



After sanding, staining and sealing the boards, pre-drill and assemble with the Outdoor Accents Hex-Head Washer and Structural Screws from Simpson Strong-Tie. Optional to add glue to joints for additional resistance to shelf spinning.

